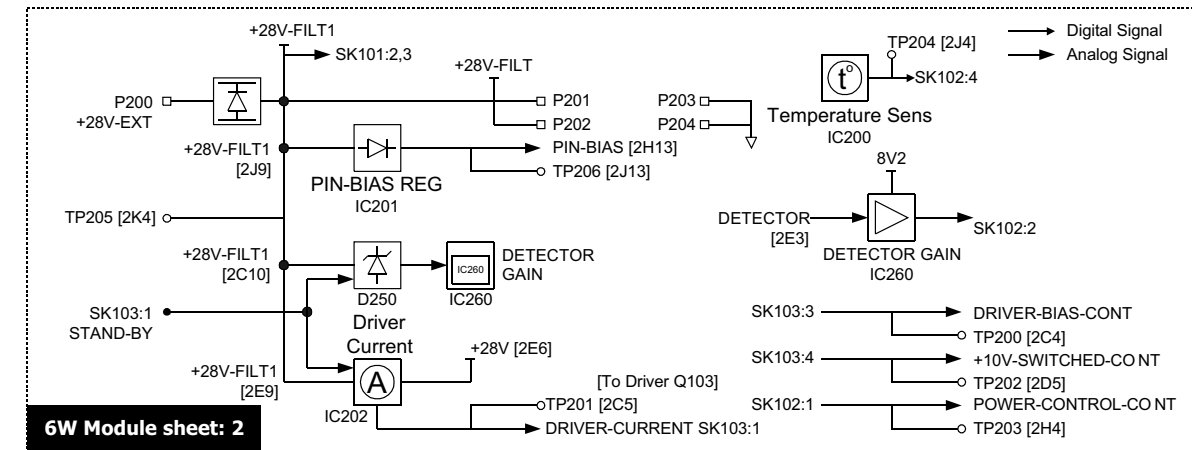
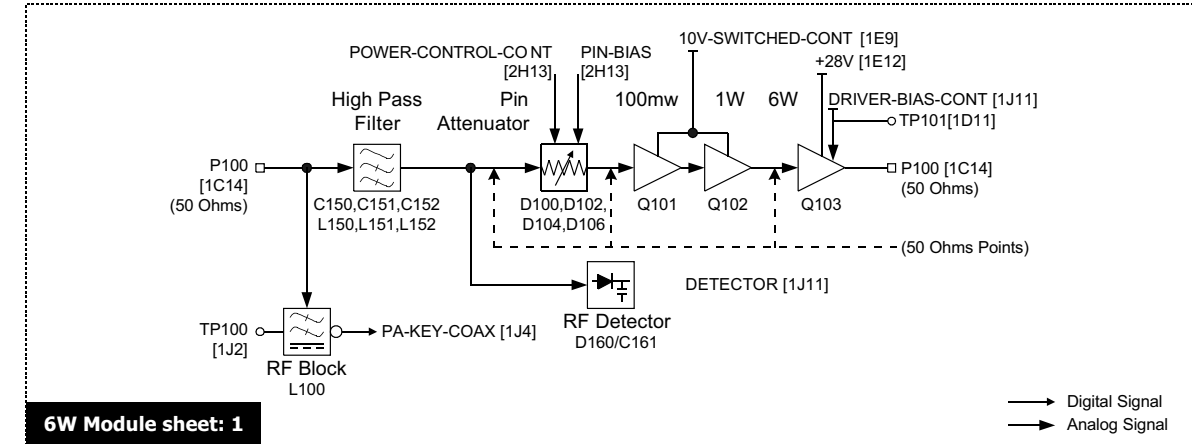
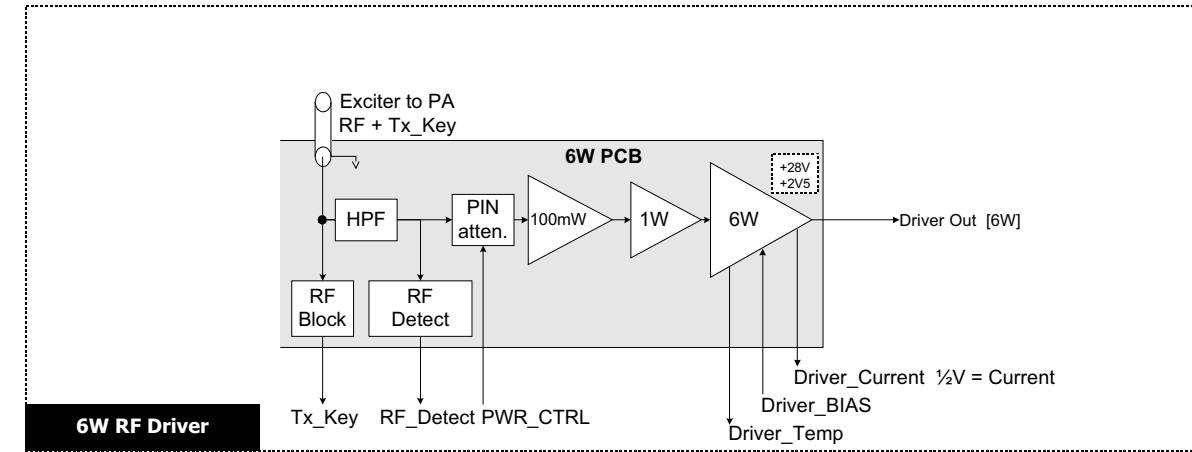
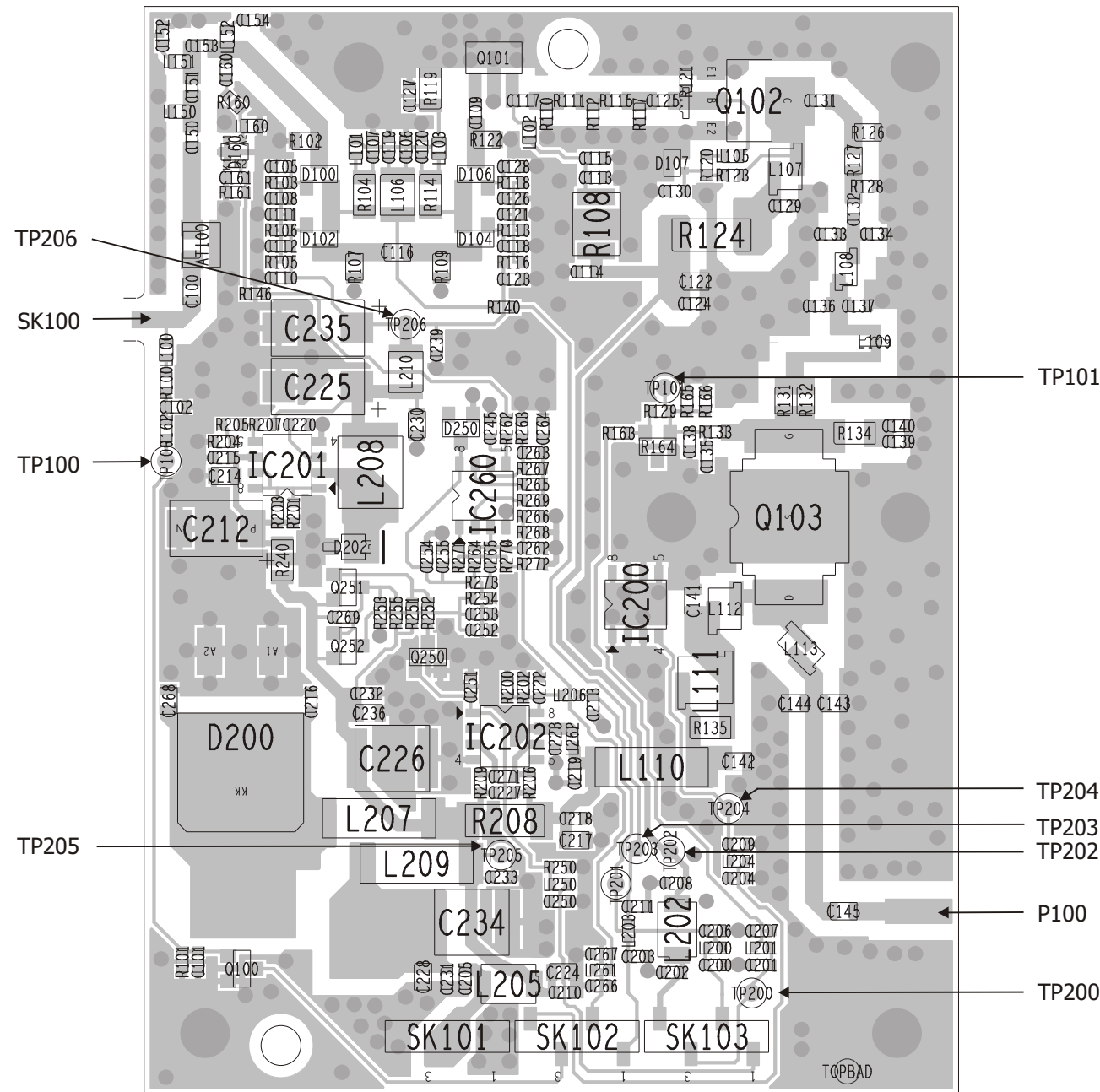


PA 6W Module PCB Test Points [220-02001-05]

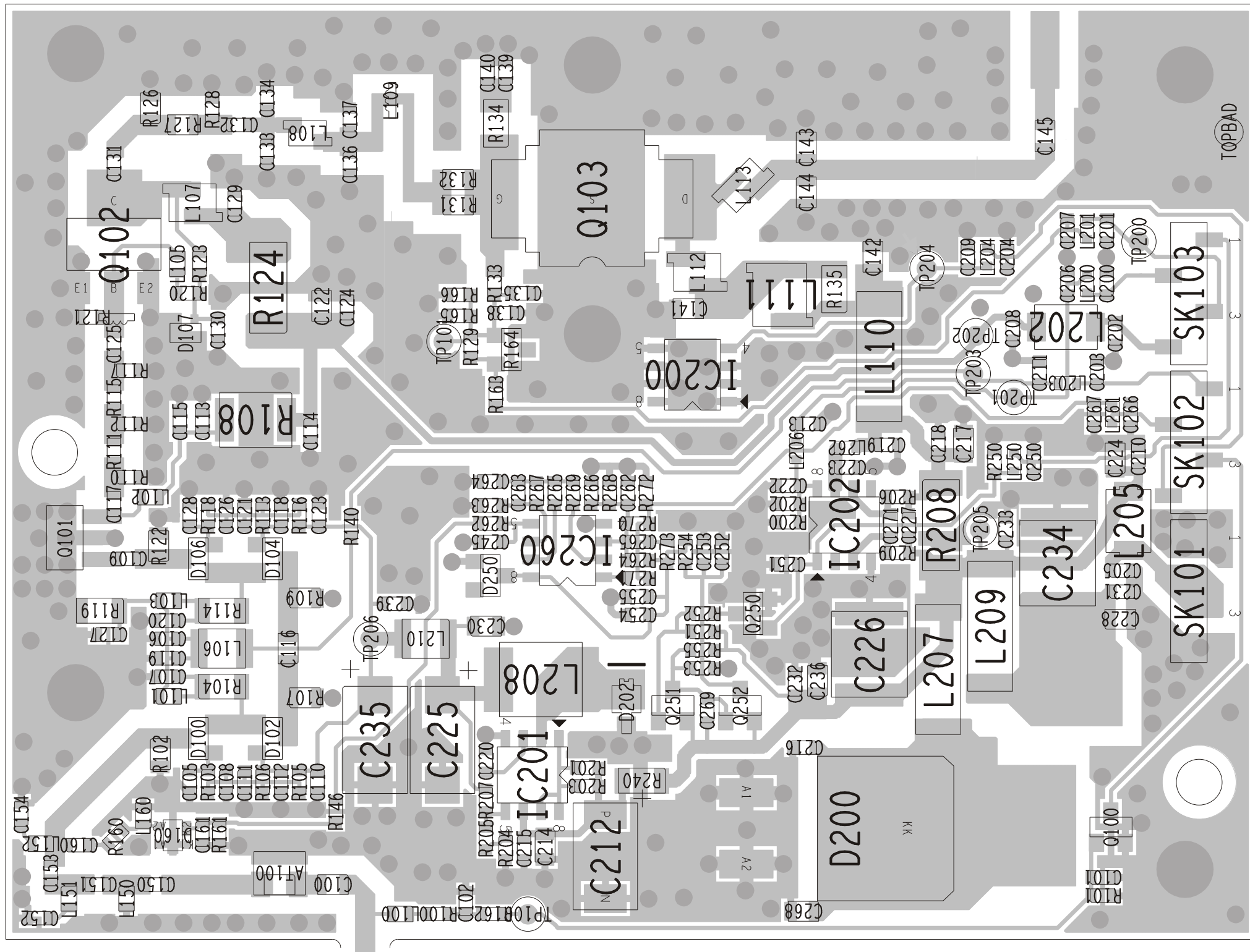
Connector PIN outs

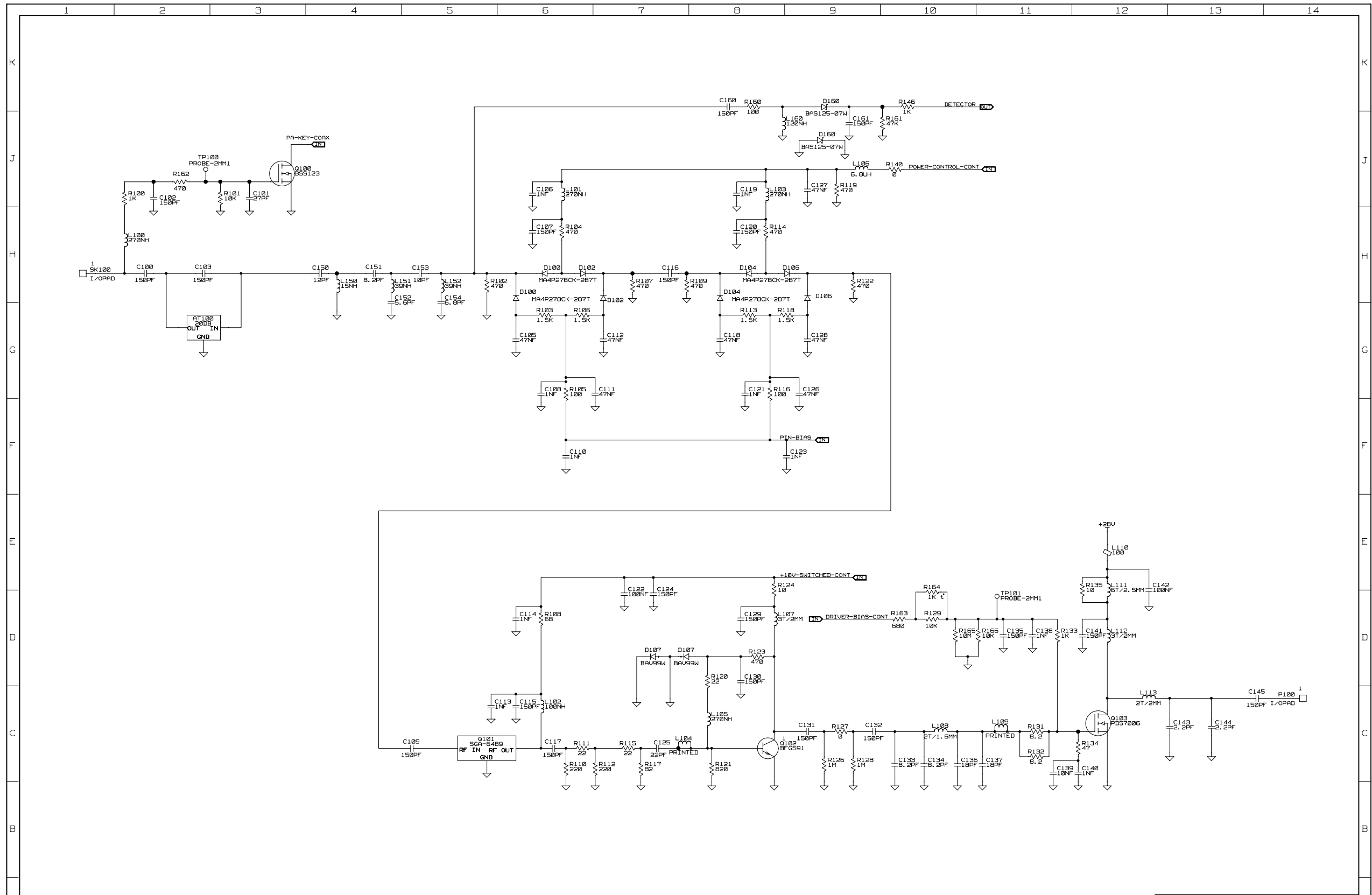
| Power Supply SK101 | RF Power Control SK102 | RF Driver Control SK103 | RF INPUT SK100 | RF OUTPUT P100 |
|--------------------|------------------------|-------------------------|----------------|----------------|
| 1: GND             | 1: POWER-CONTROL-CONT  | 1: SHUT-DOWN            |                |                |
| 2: +28V-FILT       | 2: DETECTOR            | 2: DRIVER-CURRENT       |                |                |
| 3: +28V-FILT       | 3: PA-KEY-COAX         | 3: DRIVER-BIAS-CONT     |                |                |
| 4: GND             | 4: DRIVER-TEMP         | 4: +10V-SWITCHED-CONT   |                |                |



T8000 UHF PA 6W Module Schematic Test points

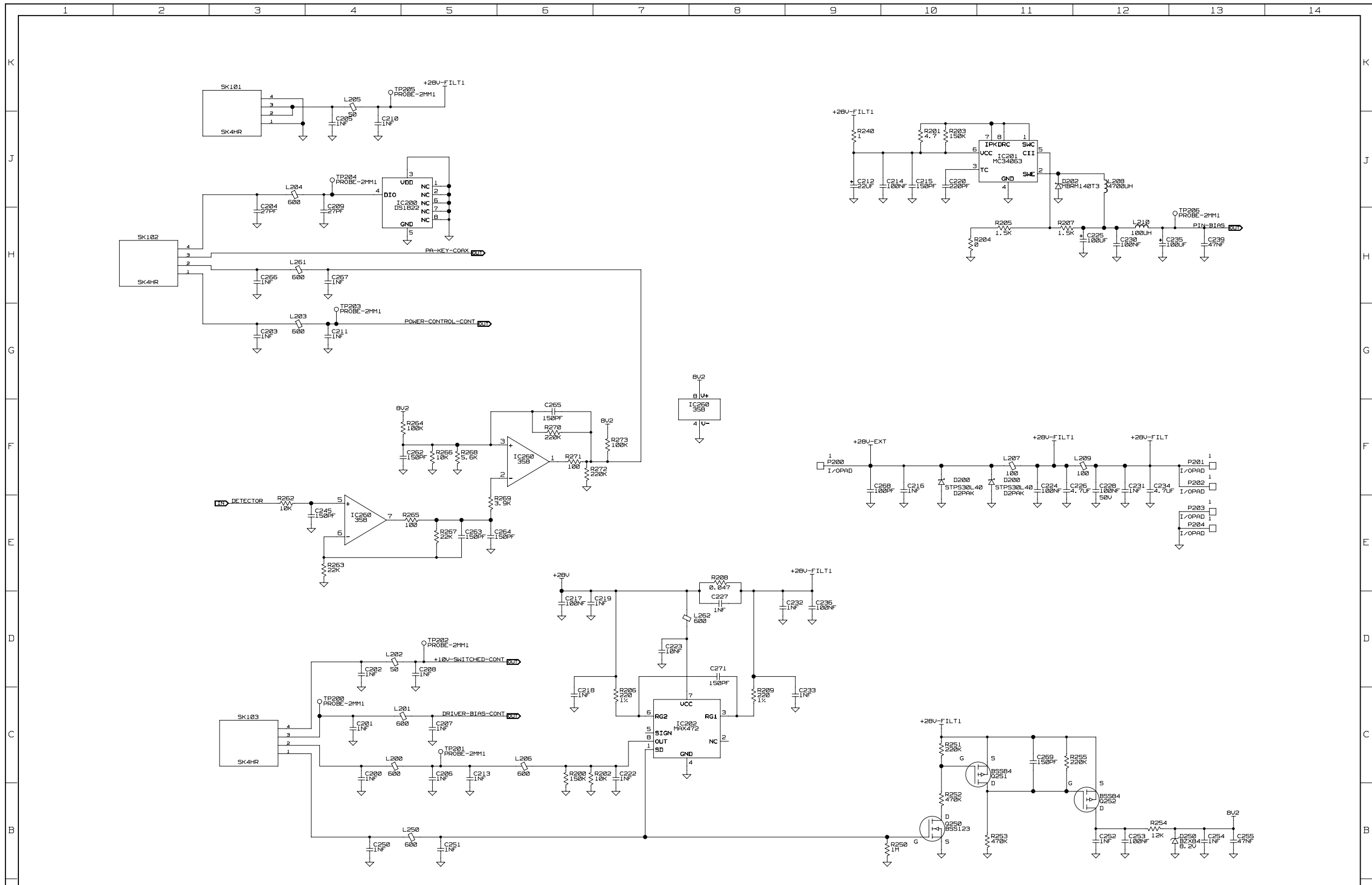
| CCT Sheet 1                 | CCT Sheet 2                   |
|-----------------------------|-------------------------------|
| TP100[1K3] PA-KEY-COAX      | TP200[2C4] DRIVER-BIAS-CONT   |
| TP101[1L6] DRIVER-BIAS-CONT | TP201[2C5] DRIVER-CURRENT     |
|                             | TP202[2D5] +10V-SWITCHED-CONT |
|                             | TP203[2H4] POWER-CONTROL-CONT |
|                             | TP204[2J4] TEMP-SENS          |
|                             | TP205[2K4] +28V-FILT1         |
|                             | TP206[2J13] PIN-BIAS          |





|         |                                     |       |      |       |      |          |
|---------|-------------------------------------|-------|------|-------|------|----------|
| 05A     | DCO 02001-004                       | SA    | OW   | CK    | OW   | 23/01/03 |
| 04B     | RESISTOR AND INDUCTOR VALUE CHANGES | SA    | OW   | CK    | OW   | 14/01/03 |
| 04A     | DCO 02001-003                       | SA    | OW   | CK    | OW   | 20/11/02 |
| 03A     | DCO 02001-002                       | SA    | OW   | CK    | OW   | 1/10/02  |
| 02      | ADDITIONAL UPGRADE                  | ET    | PG   |       |      | 25/05/02 |
| 01A     | CLONED FROM 226-00200-05A           | PG    | -    | ?     | ?    | 20/05/02 |
| REV/ISS | AMENDMENTS                          | DRAWN | CHKD | D. O. | APVD | DATE     |

© TAIT ELECTRONICS A1  
**T8000**  
**6W MODULE**  
 IPN: 220-02001-05 ISSUE: 05A VARIANT NUMBER: -  
 FILE DATE: Thu Jan 23 11:39:59 2003  
 ENGINEER: ON FILE NAME: 220\_02001 SHEET NUMBER: 1 OF 2



|         |                                     |       |      |       |      |          |
|---------|-------------------------------------|-------|------|-------|------|----------|
| 05A     | DCO 02001-004                       | SA    | OW   | CK    | OW   | 23/01/03 |
| 04B     | RESISTOR AND INDUCTOR VALUE CHANGES | SA    | OW   | CK    | OW   | 14/01/03 |
| 04A     | DCO 02001-003                       | SA    | OW   | CK    | OW   | 20/11/02 |
| 03A     | DCO 02001-002                       | SA    | OW   | CK    | OW   | 1/10/02  |
| 02      | ADDITIONAL UPGRADE                  | ET    | PG   |       |      | 25/05/02 |
| 01A     | CLONED FROM 225-00200-05A           | PG    | -    | ?     | ?    | 20/05/02 |
| REV/ISS | APPENDMENTS                         | DRAWN | CHKD | D. O. | APVD | DATE     |

© TAIT ELECTRONICS A1  
**T8000**  
**6W MODULE**  
 IPN: 220-02001-05 ISSUE: 05A VARIANT NUMBER: -  
 FILE DATE: Thu Jan 23 11:40:38 2003  
 ENGINEER: OW FILE NAME: 220\_02001 SHEET NUMBER: 2 OF 2